

FURUNO®

Dual Frequency 50/200 kHz, 300 watts rms

5-INCH LCD SOUNDER

Model **LS-4100**



Actual Size



The future today with FURUNO's electronics technology.

FURUNO ELECTRIC CO., LTD.

9-52 Ashihara-cho, Nishinomiya City, Japan Phone: +81 (0)798 65-2111
Fax: +81 (0)798 65-4200, 66-4622 URL: www.furuno.co.jp

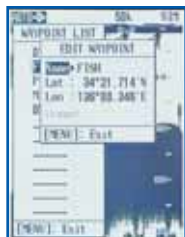
Catalogue No. E-396e

TRADE MARK REGISTERED
MARCA REGISTRADA

- High-contrast monochrome LCD (240 x 320 pixels)
- Dual Frequency 50/200 kHz, 300 W rms
- "White Line" and "Sea-Through" technology discriminates echoes from the seabed or anywhere in the water column
- Wind direction and speed display with appropriate sensor.
- "Mini-navigator" feature provides 12 "Go To" waypoints with programmable names and registers in VideoPlotter at the same time by marking waypoints.
- Unique Bottom-Lock Fish Alarm provides consistent audible bottom fish detection in varying depths



Text Nav Data



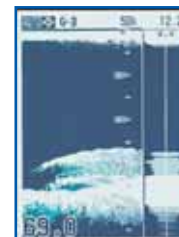
Waypoints



Graphical Nav Data



Bottom Zoom with white line



Single freq/A-scope Reverse mode

SPECIFICATIONS OF LS-4100

- Display** 5-inch monochrome LCD, 4 gray tones, 240 (H) x 320 (V) pixels
- Frequency** 50 and 200 kHz
- Output Power** 300 W rms
- Display Modes** Normal (Single/Dual), Bottom-Zoom, Bottom-Lock Expansion, Marker Zoom, 2 pages of Nav Data and A-scope
- Basic Range** (m, ft, fa, p/b can be selected in menu) 2 to 500 m
- Range Phasing** Up to 500 m
- Bottom-lock Range** 3 to 10 m selectable in menu
- Zoom Scale** 2 to 50 m selectable in menu
- Picture Advance** Stop, 1/16, 1/8, 1/4, 1/2, 1/1, 2/1, 4/1
- Pulselength and Pulse Repetition Rates**

| | | | | | |
|------------------|------|------|------|------|------|
| Range (m) | 5-30 | 80 | 150 | 200 | 300 |
| Pulselength (ms) | 0.22 | 0.32 | 0.42 | 0.62 | 0.82 |
| PRR (Pulses/min) | 500 | 256 | 167 | 136 | 100 |
- Interface** (NMEA 0183 Ver. 1.5/2.0/3.0)

NMEA connector can be set on menu for IN/IN or IN/OUT.

Input: RMA, RMB, RMC, GGA, VTG, VHW, MTW, XTE, BWC, MDA, GLL, HDT, HDG, MWV

Output: Water depth (SDDPT), Speed* (VWVHW), Water temperature* (YCMTW), Target position (SDTLL)**, Position/Depth/Temp (PFECXXX)**

* When connected with a transducer with speed and temperature sensor

** When connected with a GPS

- Alarm** Bottom, Fish, Temp, Arrival, Speed and Battery
- Language** English, French, Spanish, German, Italian, Portuguese, Danish, Japanese

POWER SUPPLY 12 VDC, 6 W

ENVIRONMENT (Display Unit)

Temperature: -15°C to +55 °C (IEC 60945)

Waterproofing: IPX5 (IEC 60529), CFR-46 (USCG standard)

EQUIPMENT LIST

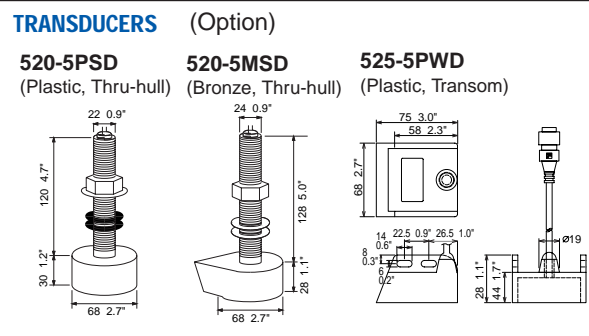
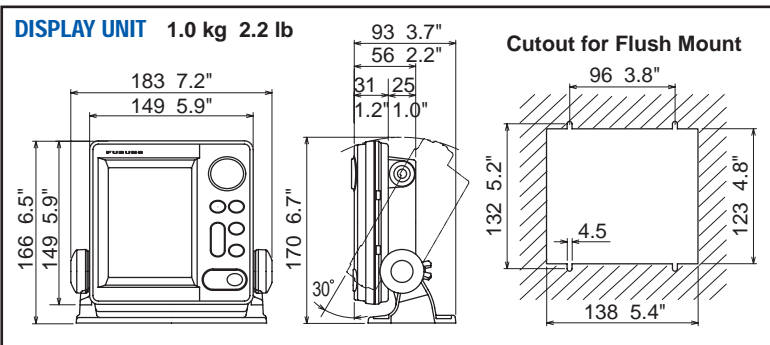
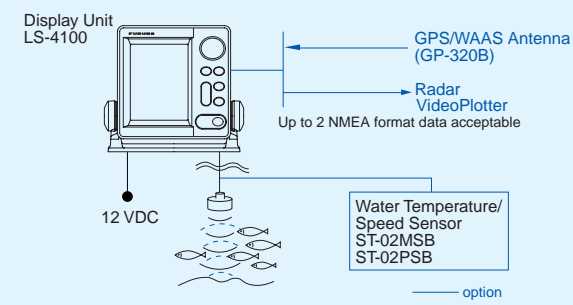
Standard

- Display Unit
- Installation Materials and Standard Spare Parts

Option

- Cable for Speed/Temperature Sensor 02S4147-1
- Inner Hull Kit 22S0191-0
- Transducer (*Specify when ordering*)
 - 520-5PSD (Plastic, Thru-hull)
 - 525-5PWD (Plastic, Transom)
 - 520-5MSD (Bronze, Thru-hull)
 - with speed/temperature sensor*
 - 525ST-PWD (Plastic, Transom)
 - 525ST-MSD (Bronze, Thru-hull)

INTERCONNECTION DIAGRAM



SPECIFICATIONS SUBJECT TO CHANGE WITHOUT NOTICE

FURUNO U.S.A., INC.
Camas, Washington, U.S.A.
Phone: +1 360-834-9300
Fax: +1 360-834-9400

FURUNO (UK) LIMITED
Havant, Hampshire, U.K.
Phone: +44 2392-441000
Fax: +44 2392-484316

FURUNO FRANCE S.A.
Bordeaux-Mérignac, France
Phone: +33 5 56 13 48 00
Fax: +33 5 56 13 48 01

FURUNO ESPAÑA S.A.
Madrid, Spain
Phone: +34 91-725-90-88
Fax: +34 91-725-98-97

FURUNO DANMARK AS
Hvidovre, Denmark
Phone: +45 36 77 45 00
Fax: +45 36 77 45 01

FURUNO NORGE A/S
Ålesund, Norway
Phone: +47 70 102950
Fax: +47 70 102951

FURUNO SVERIGE AB
Västra Frölunda, Sweden
Phone: +46 31-7098940
Fax: +46 31-497093

FURUNO FINLAND OY
Espoo, Finland
Phone: +358 9 4355 670
Fax: +358 9 4355 6710

FURUNO POLSKA Sp. Z o.o.
Gdynia, Poland
Phone: +48 58 669 02 20
Fax: +48 58 669 02 21

FURUNO DEUTSCHLAND GmbH
Rellingen, Germany
Phone: +49 4101 838 0
Fax: +49 4101 838 111

LLC "FURUNO EURUS"
St. Petersburg, Russian Federation
Phone: +7 812 767 15 92
Fax: +7 812 766 55 52

07055N Printed in Japan

