

MFX Door Sensors



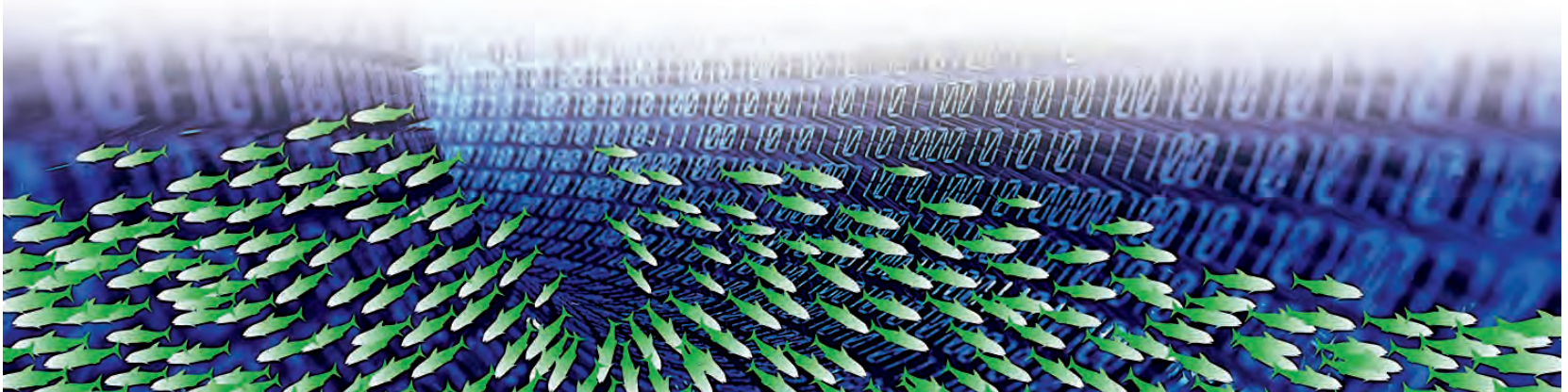
Features

- Real multifunction with up to 4 simultaneous optional functions, available for each sensor
- DOOR DISTANCE – measures the physical distance between the trawl doors during bottom and pelagic trawling
- DEPTH – measures the trawl door depth as well as descent/ascent rate during “shooting” and “hauling”
- TEMPERATURE – water temperature around the trawl doors in order to reduce the time and fuel spent towing in waters that are not suited to the targeted species
- ROLL ANGLE – Roll angle refers to the door’s natural behavior to lean outwards or inwards during towing
- PITCH ANGLE – refers to the lifting of the door, either at the front or at the rear while being towed

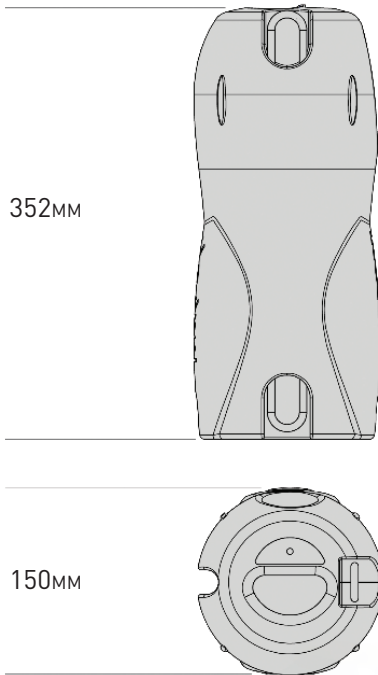
Marport’s MFX Trawl Door distance sensors provide distance measurement between trawl doors, a *TRUE* multi-function sensor capable with up to 4 additional functions available with easy configuration and programming, providing accurate and embedded signal processing firmware for reliable measurement and communications.

These sensors (Master and Slave) measure physical distance between trawl doors during bottom and pelagic trawling as well as door pitch angle, roll angle, water temperature around the door as well as depth of the trawl door. The master sensor communicates with slave sensors by using a transverse wireless acoustic frequency of 30.8 kHz, 110 kHz or 144 kHz. Distance information, as well as optional pitch and roll angle, temperature and depth measurement is wireless transmitted to the vessel using broadband transducers.

Marport’s Master/Slave sensors are well suited for all types of fishing. Compatible with most competitor trawl door sensors and are designed to fit into industry-standard door pockets adaptors.

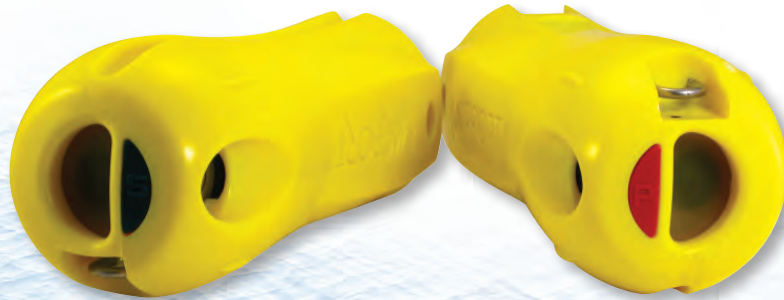


Technical Specifications



Uplink Frequency	40.8 - 43.4 kHz
Uplink Beamwidth	40° or 105°(-3dB)
Range to Vessel	2500 m
Working Operational Depth	1600m
Distance Frequencies	144 or 110 kHz 30.8 KHz (Special order)
Resolution and Accuracy	0.1m ± 30 cm
Update Rate	3 - 8 sec. or 11 - 15 sec.
Angle (Pitch & Roll)	+/- 90°
Optional Pitch & Roll Resolution	±0.1°
Battery Type	Lithium-Ion
Typical Battery Life	90-300 hours Master* 90-300 hours Slaves*
Charging Time STANDARD [Basic Charger]	8 - 12 hours**
FAST CHARGE	1 hr. = 70% charge, 4 hr. = Full charge
Weight in Air	5.0 kg
Weight In Water	0.8 kg

* Reference Only. Depends on Catch sensor functions enabled. Battery life may be extended using low power settings.
 ** Based on average charging time. Refer to the Battery Chargers Quick Reference Guide for further information.



PRODUCT NUMBER	DESCRIPTION
SS-18-00	MFX MASTER DOOR SENSOR 110 KHZ
SS-19-00	MFX SLAVE DOOR SENSOR 110 KHZ
SS-15-00	MFX MASTER DOOR SENSOR 144 KHZ
SS-16-00	MFX SLAVE DOOR SENSOR 144 KHZ
DOO-0-00	DEPTH OPTION
TOO-0-00	TEMP OPTION
RPO-0-00	PITCH & ROLL OPTION
DDO-0-00	DOUBLE DISTANCE OPTION
SS-08-00	XL DD MASTER DOOR SENSOR 144 KHZ
SS-09-00	XL DD SLAVE DOOR SENSOR 144 KHZ

Performance specifications are estimates only. Actual results will vary depending on sea state and external factors outside Marport's control. Products may appear differently than shown.

©2014 Marport. All rights reserved. No part of this document may be reproduced, stored in a retrieval system or transmitted in any form by any means; electronic, mechanical, photocopying or otherwise, without the express written permission from Marport. "Marport", the Marport logo and Software Defined Sonar are registered trademarks of Marport. All other brands, products and company names mentioned are the trademark and property of its respective owners only. Marport is a division of Airmar Technology Corporation.

For more information,
 please contact Marport
 E-mail: sales@marport.com
www.marport.com

Americas /Asia Pacific
 Patrick Belen
 T: +206.953.9111
 E: pbelen@marport.com

Spain / Latin America
 Gildo Perez
 T: +00 34 986 117 310
 E: gperez@marport.com

Southern Europe / Africa
 Loic Ollivier
 T: +33(0) 671.643.549
 E: lollivier@marport.com

Europe / Scandinavia / Russia
 Oskar Axelsson
 T: +354.533.3838
 E: oskar@marport.com