

DOPPLER SPEED LOG

Doppler Speed Log

DS-80



- Speed and distance run indicated on a large illuminated LCD display
- Compact display unit and transducer
- High accuracy by utilizing the Doppler principle, paired beam eliminating effect of pitching, and velocity correction for change of water temperature
- Easy speed correction at mile post run

- Speed output to ARPA, radar, ECDIS, AIS, VDR, GMDSS equipment, etc.
- Complies with IMO standards MSC.96 (76), A.824 (19), A.694 (17), IEC 61023 and other related standards
- Fully meets SOLAS carriage requirement for ships over 300GT
- Fits to the hull either directly or with a gate valve

SPECIFICATIONS

- | | |
|---------------------|--|
| 1. Measuring System | Paired-beam Doppler log, 1 MHz |
| 2. Display unit | 4.5" (95 x 60 mm) Monochrome LCD
120 x 64 pixels
Character size:
15 or 21 mm high selectable |
| 3. Speed Range | Forward: 0 - 40 kn, 0.1 kn steps
Astern: 0 - 10 kn, 0.1 kn steps |
| 4. Distance Run | 0-999,999.99 NM,
resettable to any value. |
| 5. Accuracy | Speed through-the-water (STW):
1%, display resolution 0.1 kn
Distance run: 1%, in steps of 0.1 NM
Deeper than 3 m |
| 6. Water Depth | |
| 7. Correction | Sound velocity:
Automatic correction for change of
water temperature |
| | Mile post run:
±10% on menu |
| 8. Test | -10 and 40 kn |
| 9. Power Supply | 115/230 VAC |
| 10. Interface | IEC 61162-1 |
| | Output:
VBW, VLW |

ENVIRONMENT (IEC 60945 test method)

- | | |
|---------------|----------------------------------|
| Temperature | -15°C to +55°C (Display unit) |
| Waterproofing | Display unit; IPX5 CFR-46 (USCG) |

EQUIPMENT LIST

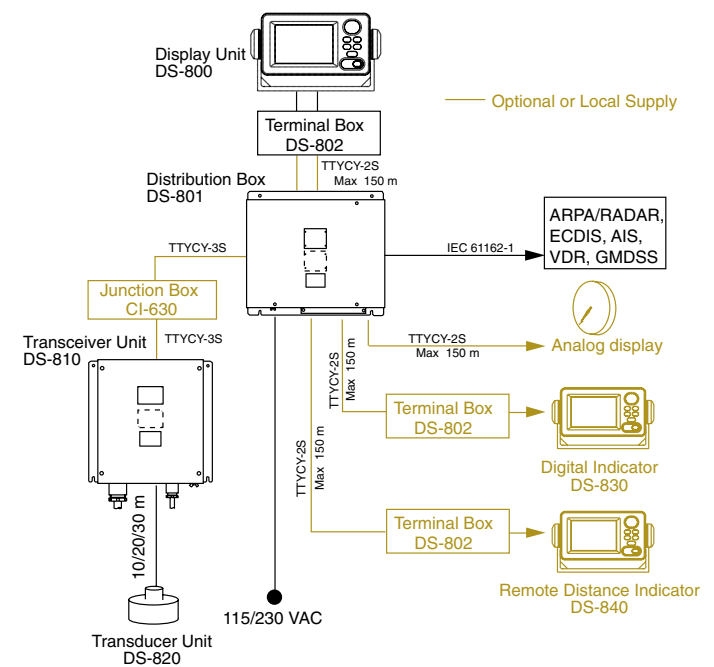
Standard

- | | |
|--|--------|
| 1. Main Display DS-800 | 1 unit |
| 2. Transducer Unit DS-820
with 10/20/30 m cable | 1 unit |
| 3. Transceiver Unit DS-810 | 1 unit |
| 4. Distribution Box DS-801 | 1 unit |
| 5. Terminal Box DS-802 | 1 unit |

Option

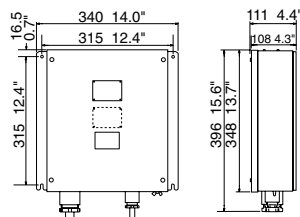
- | | |
|-------------------------------------|--------|
| 1. Digital Indicator DS-830 | 1 unit |
| 2. Remote Distance Indicator DS-840 | 1 unit |
| 3. Transducer Tank DS-850 | 1 unit |
| 4. Flush Mount Kit F type or S type | 1 unit |
| 5. Gate Valve DS-782, DS-786 | 1 unit |
| 6. Junction Box CI-630 | 1 unit |
| 7. Analog Display | 1 unit |

INTERCONNECTION DIAGRAM



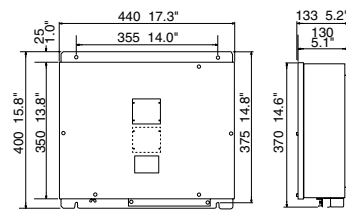
TRANSCIVER UNIT DS-810

8.0 kg, 17.6 lb



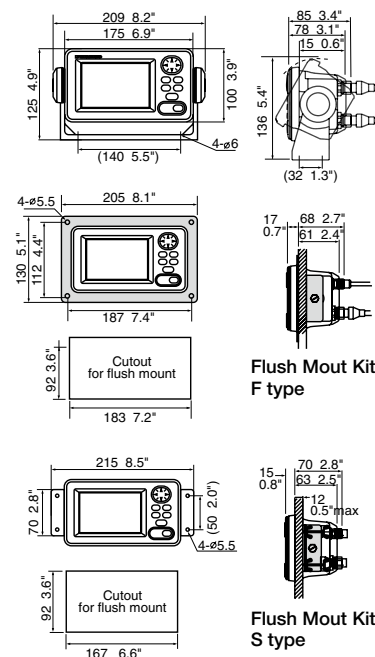
DISTRIBUTION BOX DS-801

14 kg, 30.9 lb



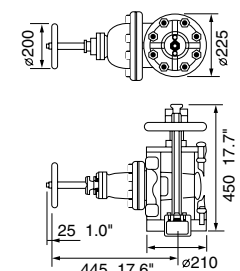
DISPLAY UNIT DS-800

0.6 kg, 1.3 lb



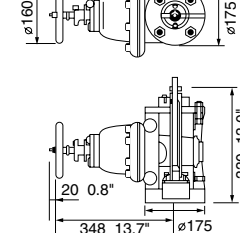
GATE VALVE DS-782

75 kg, 165.3 lb



DS-786

40 kg, 88.1 lb



TRADEMARK REGISTERED

SPECIFICATION SUBJECT TO CHANGE WITHOUT NOTICE

FURUNO ELECTRIC CO., LTD.

Nishinomiya, Hyogo, Japan
www.furuno.co.jp

FURUNO U.S.A., INC.

Camas, Washington, U.S.A.
www.furunousa.com

FURUNO (UK) LIMITED

Havant, Hampshire, U.K.
www.furuno.co.uk

FURUNO FRANCE S.A.S.

Bordeaux-Mérignac, France

FURUNO ESPAÑA S.A.

Madrid, Spain
www.furuno.es

FURUNO DANMARK AS

Hvidovre, Denmark
www.furuno.dk

FURUNO NORGE A/S

Ålesund, Norway
www.furuno.no

FURUNO SVERIGE AB

Västra Frölunda, Sweden
www.furuno.se

FURUNO FINLAND OY

Espoo, Finland
www.furuno.fi

FURUNO POLSKA Sp. z o.o.

Gdynia, Poland
www.furuno.pl

FURUNO DEUTSCHLAND GmbH

Rellingen, Germany
www.furuno.de

FURUNO EURUS LLC

St. Petersburg, Russian Federation
www.furuno.com.ru

FURUNO HELLAS S.A.

Piraeus, Greece



1002-pdf Printed in Japan
Catalogue No. M-1520g