



FURUNO®

Inmarsat MINI-C MOBILE EARTH STATION

Model FELCOM 16



SPECIFICATIONS OF FELCOM 16

1. Type

Class 2 Inmarsat MINI-C (with EGC for shore-to-ship transfer using a shared receiver)

2. Inmarsat MINI-C services supported

- EGC receiving (SafetyNET™, FleetNET™)
- Two-way, digital store-and-forward message handling: Telex, FAX (PSTN), Internet E-mail, X.25 (PSDN), X.400 (MHS), Closed Network (DNID), Special Access Code
- Polling, Data Reporting

3. SafetyNET™ Frequency Scan

Automatic scan of NCS common channels locking on first received LES. Manual selection of another NCS possible.

4. Frequency

TX: 1626.5 - 1646.5 MHz

RX: 1530.0 - 1545.0 MHz (Inm MINI-C), 1575.42 MHz (GPS)

5. Channel Spacing

5 kHz

6. Modulation

BPSK 1200 symbols/s

7. Minimum G/T

-23.7 dB/K (at elv. 5°)

8. Output Power

9 ± 2 dBW EIRP (at elv. 5°)

9. Power Supply

12-24 VDC, 60 W (TX), 10 W (RX)

Environment

Temperature:

-15°C to +55°C (Protected units)

-35°C to +55°C (Exposed units)

Equipment List

Standard

1. Antenna Unit with antenna cable

1 unit

2. Communication Unit

1 unit

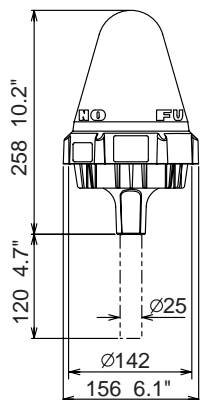
3. Installation Materials and Spare Part

Option

1. AC/DC Power Supply Unit PR-240

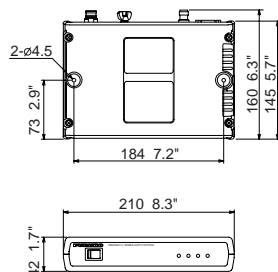
Antenna Unit IC-116

1.4 kg 3.1 lb

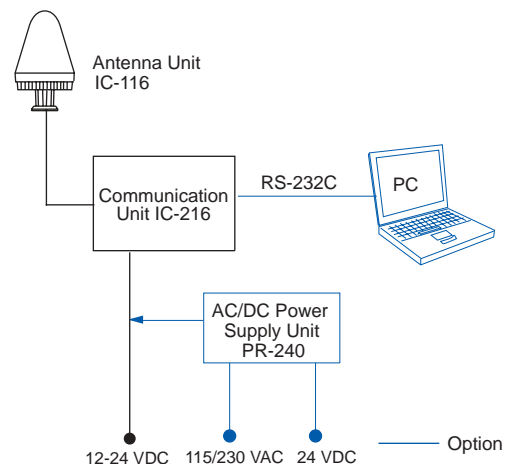


Communication Unit IC-216

1.2 kg 2.7 lb



INTERCONNECTION DIAGRAM



SPECIFICATIONS SUBJECT TO CHANGE WITHOUT NOTICE



The future today with FURUNO's electronics technology.

FURUNO ELECTRIC CO., LTD.

9-52 Ashihara-cho, Nishinomiya City, Japan Phone: +81 (0)798 65-2111
Fax: +81 (0)798 65-4200, 66-4622 URL: www.furuno.co.jp

Catalogue No. W-3248c
04083SS Printed in Japan

TRADE MARK REGISTERED
MARCA REGISTRADA