



V I A
INMARSAT™

FURUNO®

Complying with GMDSS carriage requirements

Inmarsat-C MOBILE EARTH STATION Model FELCOM 12



- Complies with GMDSS carriage requirements
- Instant ship-shore connection to telex lines via Inmarsat-C for high-quality digital communication network
- Full coverage of Inmarsat-C services: EGC, Internet E-mail, distress message handling, polling, and data reporting
- The 9.5" monochrome LCD Terminal Unit and keyboard, comply with ITU-T. They provide straight-forward ease of operation
- Compact units for space saving installation and easy maintenance
- Position reporting with optional built-in GPS receiver module (No separate GPS antenna required)
- Distress alert unit provides immediate transmission of distress alert
- Complies with: IMO Res. A.807 (19) Inmarsat-C, A.664 (16) EGC Performance Standards, A.694 (17) General requirements, MSC 55/25 Inmarsat, EGC, IEC 61097-4 Inmarsat-C/EGC, IEC 60945 General requirements

The FELCOM 12 is a new Inmarsat-C Mobile Earth Station designed through FURUNO's advanced communications technology. It provides a quality two-way telex and data link between ships and other parties at sea or on land.

All functions and services of the Inmarsat-C can be utilized: EGC (Safety NET™/FleetNET™), Internet E-mail, distress message handling, two-way digital store-and-forward messaging including polling, data reporting, Internet E-mail, etc. Internet E-mail with file attachments can be sent/received on the vessel (subject to coast station). The distress alert is initiated by the distress alert unit. The distress message including own ship's position can be easily

edited and sent via the terminal unit or an Inmarsat approved PC. The system can be expanded with an optional built-in GPS receiver module for position reporting without operator's intervention.

The FELCOM 12 consists of a small omnidirectional cone-shaped antenna, compact communication unit, and 9.5-inch LCD Terminal Unit with keyboard. GMDSS compliance can be achieved by adding a printer, a distress alert unit and a AC/DC power supply unit. These space-saving compact units allow flexible installation on the bridge together with other communications equipment in the radio console.



© The future today with FURUNO's electronics technology.

FURUNO ELECTRIC CO., LTD.

9-52 Ashihara-cho, Nishinomiya City, Japan Telephone: +81 (0)798 65-2111
Telefax: +81 (0)798 65-4200, 66-4622, 66-4623

Catalogue No. W-3240b

TRADE MARK REGISTERED
MARCA REGISTRADA

SPECIFICATIONS OF FELCOM 12

1. Type

Class 2 Inmarsat-C (with EGC for shore-to-ship transfer using a shared receiver)

2. Inmarsat-C services supported

- EGC receiving (SafetyNET™, FleetNET™)
- Distress message handling
- Two-way, digital store-and-forward message handling: Telex, FAX (PSTN), Internet E-mail, X.25 (PSDN), X.400 (MHS), Closed Network (DNID), Special Access Code
- Polling, Data Reporting

3. SafetyNET™ Frequency Scan

Automatic scan of NCS common channels locking on first received CES. Manual selection of another NCS possible.

4. Frequency

TX: 1626.5 - 1646.5 MHz
RX: 1530.0 - 1545.0 MHz (Inm-C), 1575.42 MHz (GPS)

5. Channel Spacing

5 kHz

6. Modulation

BPSK 1200 symbols/s

7. Minimum

-23 dB/K (at elv. 5°)

8. Output Power

14 ± 2 dBW EIRP (at elv. 5°)

9. Formatting

Message editing, File protection by password, Easy editing by cut, paste, copy, search and replace commands

10. File Management

Adding, modifying and deleting, List and print files, Available memory count, Transferring data between memory and floppy disk

11. Utility Programs

System status indication, System diagnostic, Performance verification test (PVT), Commissioning sequence, Station list, Log book

12. Interface

Nav: IEC 61162

13. Power Supply

24 VDC, 120 W (TX), 25 W (RX)

14. Terminal Unit IB-581

Compatibility: IBM-PC/AT
CPU: i386SX, 40 MHz
Display: 9.5" monochrome LCD
Message: 72 characters/line, 25 lines/screen
Power Supply: 24 VDC, 18 W max.

15. Printer PP-510 (option)

Mandatory for EGC operation as required by IMO Res. A. 664 (16).

Printing paper: Plain, rolled, impact dot, 216mm wide,

80 characters/line

Power Supply: 24 VDC, 36 W max.

Environment (IEC 60945 test method)

Temperature: -15°C to +55°C (Protected units)
-25°C to +70°C (Exposed units)

Equipment List

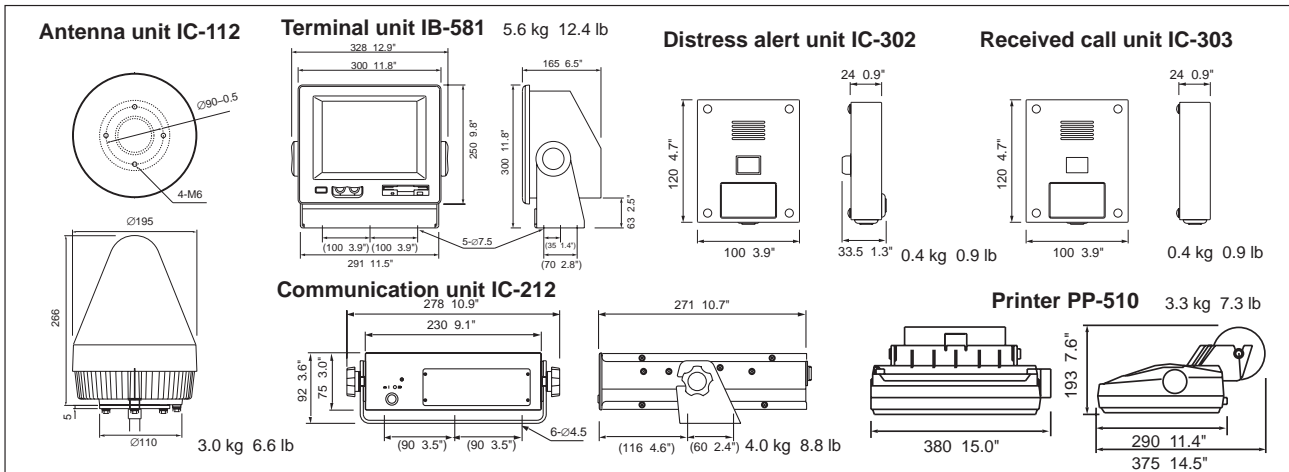
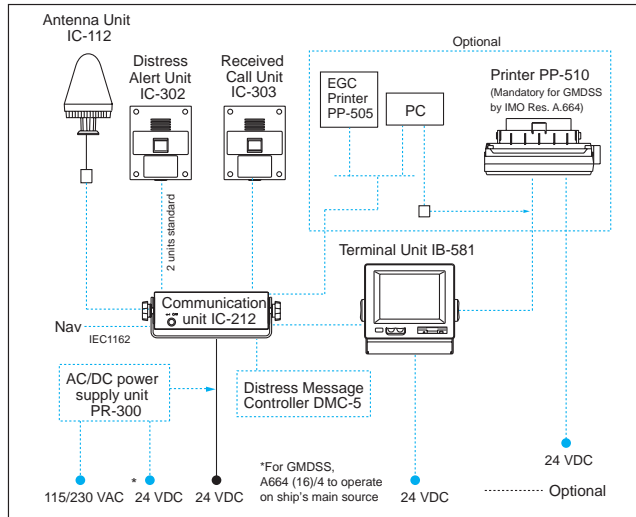
Standard

- | | |
|--|---------|
| 1. Antenna unit IC-112 w/30 m Antenna (coaxial cable)cable | 1 unit |
| 2. Communication unit IC-212 | 1 unit |
| 3. Terminal unit IB-581 with keyboard | 1 unit |
| 4. Distress alert unit IC-302 | 2 units |
| 5. Received call unit IC-303 | 1 unit |
| 6. Installation materials and spare parts | |

Optional

1. Printer PP-510 (Mandatory for GMDSS by IMO Res. A.664)
2. GPS receiver module OP16-16-2
3. Personal computer (replacement of IB-581, owner Supply)
4. Software for PC used as alternative of IB-581
5. Antenna cable 8D-FB-CV (50 m), 12D-FB-CV (100 m)
6. AC/DC power supply unit PR-300*

*Required for EGC, IMO Res. A.664 (16)/4 to operate on ship's mains source



SPECIFICATIONS SUBJECT TO CHANGE WITHOUT NOTICE

FURUNO U.S.A., INC.
Camas, Washington, U.S.A.
Phone: +1 360-834-9300 Telefax: +1 360-834-9400

FURUNO (UK) LIMITED
Denmead, Hampshire, U.K.
Phone: +44 1705-230303 Telefax: +44 1705-230101

FURUNO FRANCE S.A.
Le Plessis Robinson, France
Phone: +33 1-46 29 94 29 Telefax: +33 1-40 94 08 45

FURUNO ESPANA S.A.
Madrid, Spain
Phone: +34 1-435-95-20 Telefax: +34 1-431-30-82

FURUNO DANMARK AS
Hvidovre, Denmark
Phone: +45 36 77 45 00 Telefax: +45 36 77 45 01

FURUNO NORGE A/S
Alesund, Norway
Phone: +47 70 102950 Telefax: +47 70 127021

FURUNO SVERIGE AB
Västra Frölunda, Sweden
Phone: +46 31-7098940 Telefax: +46 31-497093

FURUNO SUOMI OY
Helsinki, Finland
Phone: +358 9 317277 Telefax: +358 9 3412930

9812XB Printed in Japan

