

## SPECIFICATIONS OF DRS4W

### ANTENNA

Peak Output Power	4 kW
Type	Ø488 mm Radome (19 inch)
Frequency	9410 ± 30 MHz
Beam Width	Horizontal: 7.2° Vertical: 25°
Range Scales	0.125 to 24 nm
Antenna Rotation Speed	24 rpm
Wind Load	Relative wind 70 kn

### WIRELESS LAN

The number of connectable iOS devices	2 units
Communication Frequency	2.4 GHz band

### APPLICATION

Name	"Marine Radar" from Apple App Store
Display	iPad/iPad mini/iPhone (Customer supply)
Compliant OS	iOS6/iOS7
Screen Orientation	Portrait/Landscape (iPad, iPad mini only)
Language	English
Method of obtaining	"Marine Radar" at App Store (Free of charge)

Mode	Full screen, Day/Night, Gain (auto), STC (auto), Rain, Auto Noise rejector, Off center, Cursor position*
------	--

\* iPad, iPad mini

### POWER SUPPLY

12-24 VDC, 2.1-1.0 A (max)

### ENVIRONMENT

Temperature	-25°C to +55°C
Waterproofing	IP26

### EQUIPMENT LIST

#### Standard

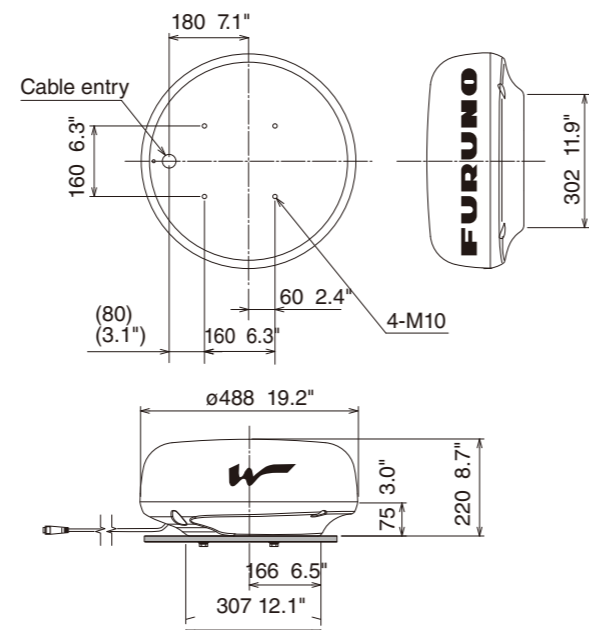
1. Antenna unit	RSB-126
2. Power supply cable	10/15/20/30 m

#### Option

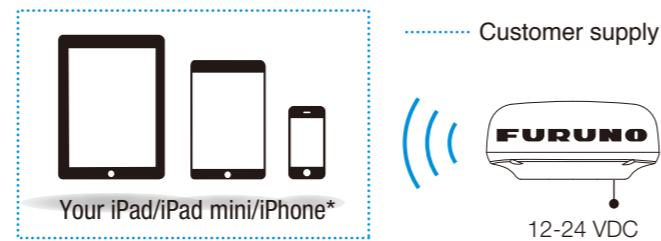
1. Radome mount	OP03-93
-----------------	---------

### ANTENNA UNIT

RSB-126 5.7 kg 12.5 lb



### INTERCONNECTION DIAGRAM



\* Available max 2 units at the same time.



Marine Radar

Free download the software from the App store.



### DEMO App

Marine Radar SIMULATOR app will help you learn how to use Marine Radar DRS4W in an off-line environment before you navigate with the DRS4W onboard.



Marine Radar Simulator

Beware of similar products

Apple, the Apple logo, iPad, iPad mini and iPhone are trademarks of Apple Inc. registered in U.S. and other countries. App store is a service mark of Apple Inc.

#### FURUNO ELECTRIC CO., LTD.

Nishinomiya, Hyogo, Japan  
www.furuno.com

#### FURUNO U.S.A., INC.

Camas, Washington, U.S.A.  
www.furunousa.com

#### FURUNO (UK) LIMITED

Havant, Hampshire, U.K.  
www.furuno.co.uk

#### FURUNO FRANCE S.A.S.

Bordeaux-Mérignac, France  
www.furuno.fr

#### FURUNO ITALIA S.R.L.

Gatteo Mare, Italy  
www.furuno.it

#### FURUNO ESPAÑA S.A.

Madrid, Spain  
www.furuno.es

#### FURUNO DANMARK A/S

Hvidovre, Denmark  
www.furuno.dk

#### FURUNO NORGE A/S

Ålesund, Norway  
www.furuno.no

#### FURUNO SVERIGE AB

Västra Frölunda, Sweden  
www.furuno.se

#### FURUNO FINLAND OY

Espoo, Finland  
www.furuno.fi

#### FURUNO POLSKA Sp. z o.o.

Gdynia, Poland  
www.furuno.pl

#### FURUNO EURUS LLC

St. Petersburg, Russian Federation  
www.furuno.com.ru

#### RICO (PTE) LTD

Singapore  
www.rico.com.sg

#### FURUNO DEUTSCHLAND GmbH

Rellingen, Germany  
www.furuno.de

#### FURUNO HELLAS S.A.

Piraeus, Greece  
www.furuno.gr

#### FURUNO (CYPRUS) LTD

Limassol, Cyprus  
www.furuno.com.cy

#### FURUNO SHANGHAI CO., LTD.

Shanghai, China  
www.furuno.com/cn

SPECIFICATIONS SUBJECT TO CHANGE WITHOUT NOTICE

15015SS Printed in Japan  
Catalogue No. R-206b

# FURUNO



## 1st Watch Wireless Radar



Model DRS4W



www.furuno.com



# FURUNO 1st Watch Wireless Radar, the world's first wireless Radar that you can access directly from your iOS devices.

- ▶ A 4kW Radar antenna, powerful yet compact in size
- ▶ Wireless LAN, first Radar in the world accessible from your iOS devices
- ▶ No extra wiring needed except the power source, making installation a breeze
- ▶ Simple touch interface with familiar gestures
- ▶ With image quality that matches that of a conventional 10" wired Radar, the DRS4W will impress you
- ▶ User selectable range scale from 0.125 to 24 nm
- ▶ Two iOS devices – simultaneous operation



## 1st Watch Wireless Radar

Model DRS4W

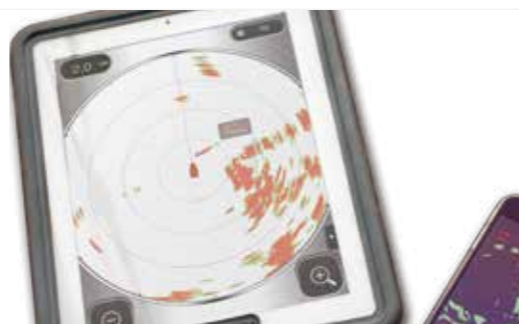
### Move around and explore

With the new FURUNO 1st Watch Wireless Radar, you can do things previously impossible. You can bring the Radar display whenever you go, even put it on the iPhone in your pocket. Since the display is untethered, you are free to roam the vessel while maintaining full situational awareness of your surroundings. For example, you can bring the Radar display with you when jumping into the cabin quickly to grab fishing gear or other tools needed during your voyage.



### Easy to use at 1st glance

Plug in the Radar, set up the free app from App Store and you're good to go. With familiar gestures it's a breeze to use, you can even use two iOS devices simultaneously. The app has been created with simplicity and efficiency in mind, providing reliable information that is easily accessible.



### Less cables, more flexibility

Installation is simple with its compact and lightweight Radar antenna. Mount it, plug in the power cord and you're done. Due to the portability of the iOS devices this makes the system a good option for boats where space constrictions are of concern.

Please note that iOS devices and their accessories are sold separately and do not come included with this product.

