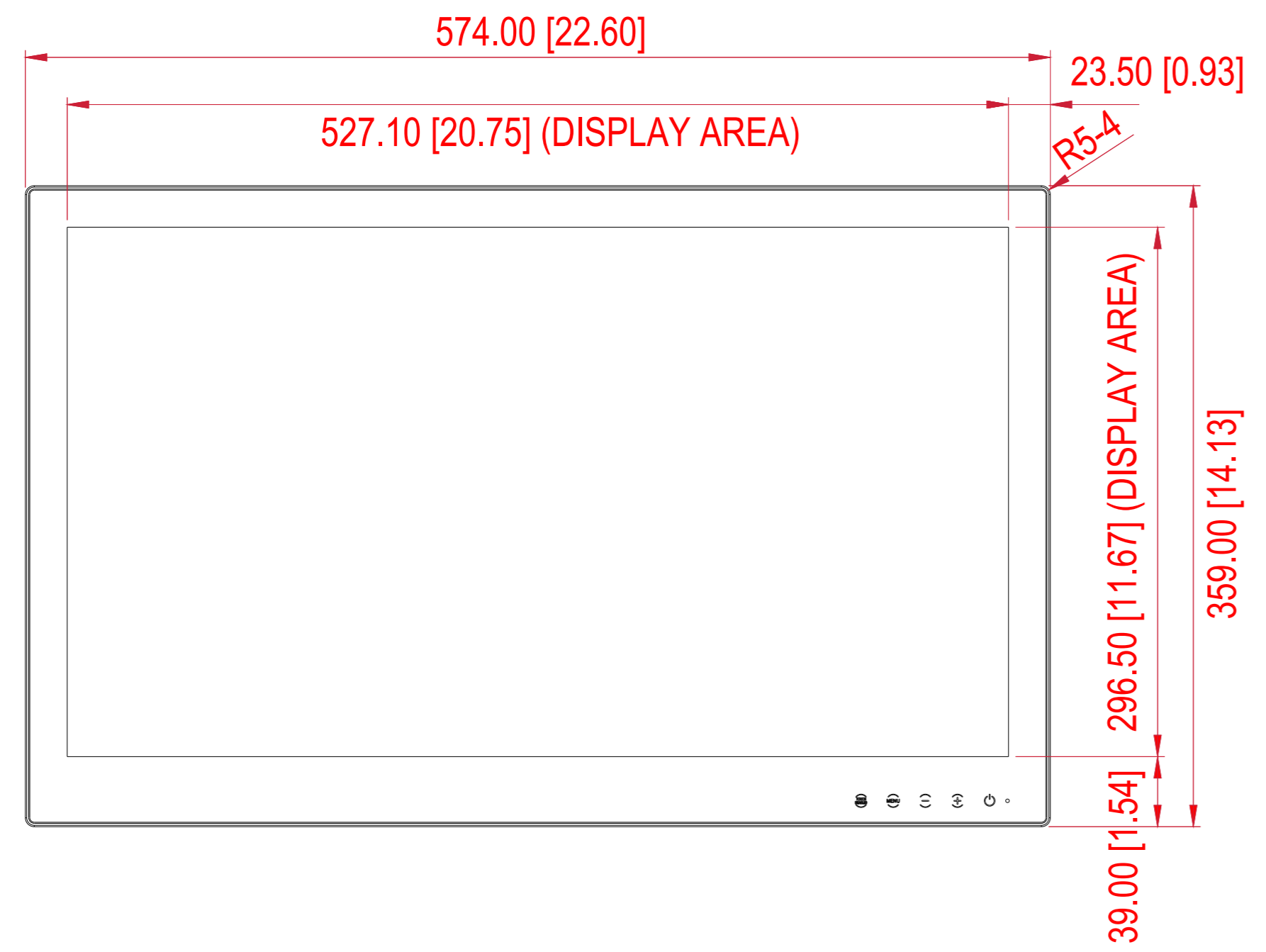
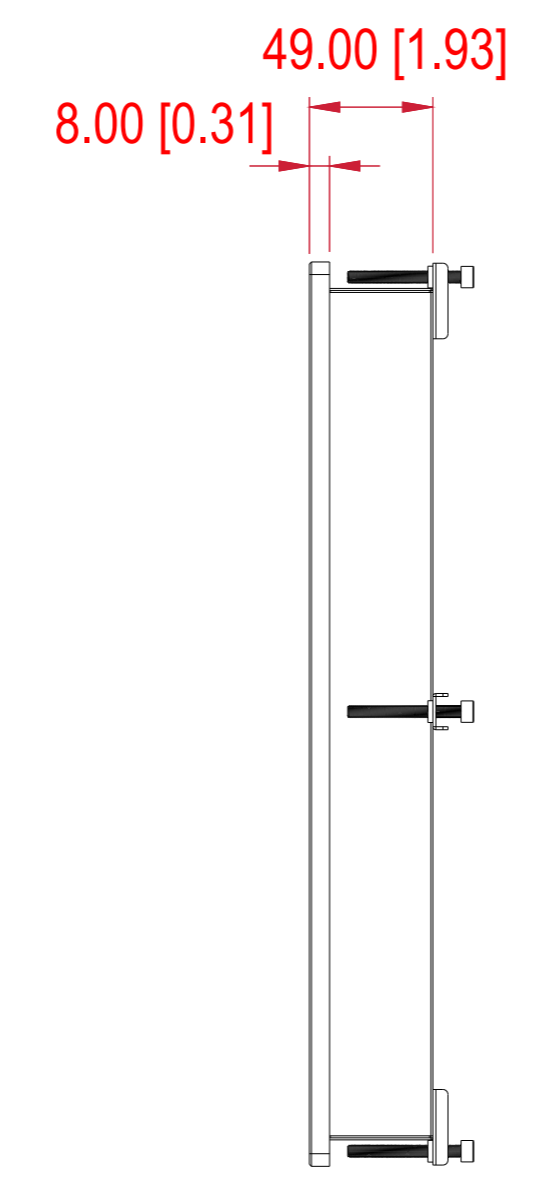


This document is the property of Hatteland Technology AS.
 This document and any authorized reproduction thereof must not be used in
 any way against the interest of Hatteland Technology AS.
 Any authorized reproduction, in whole or in part, must include this legend.

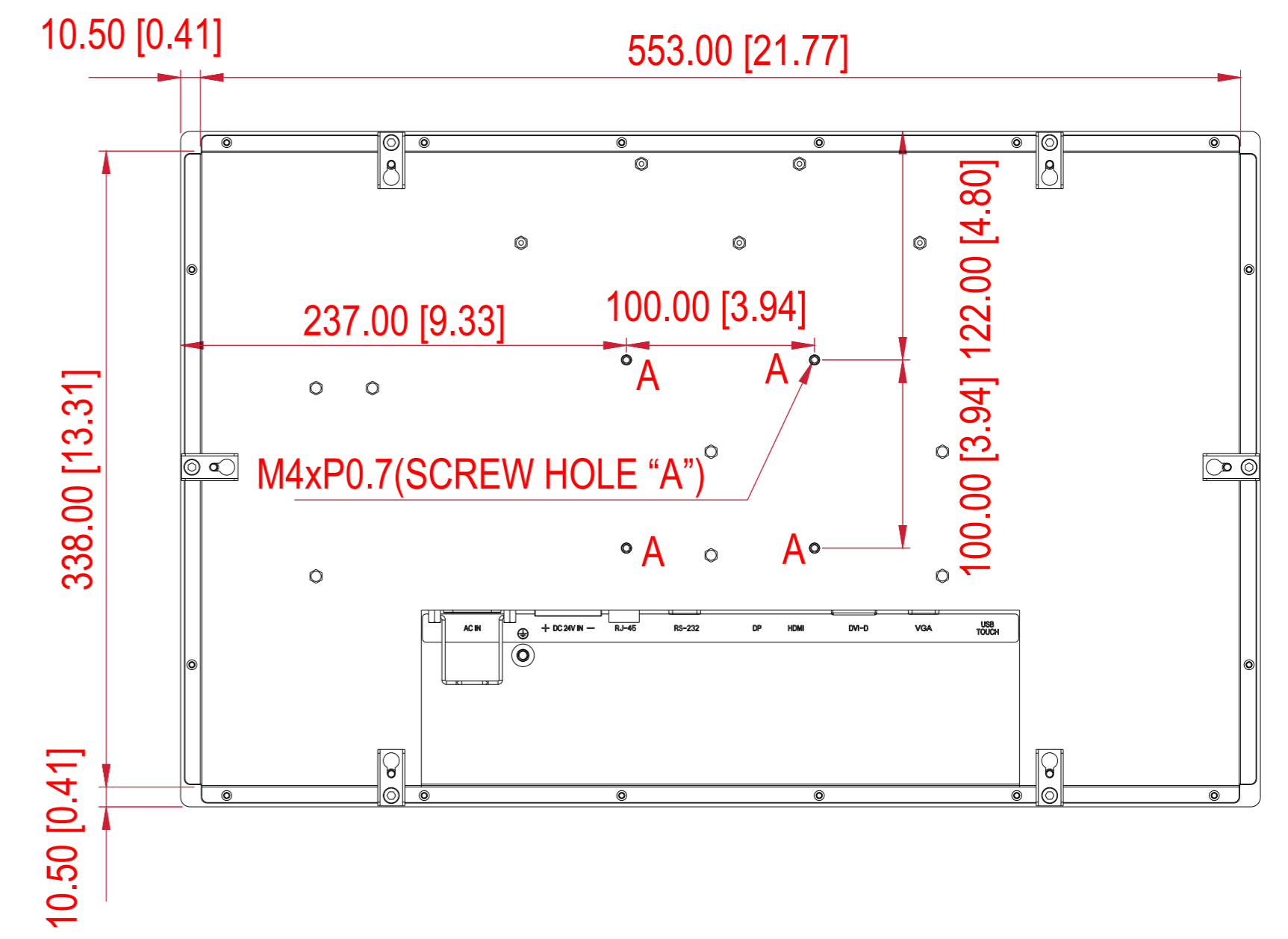
FRONT VIEW



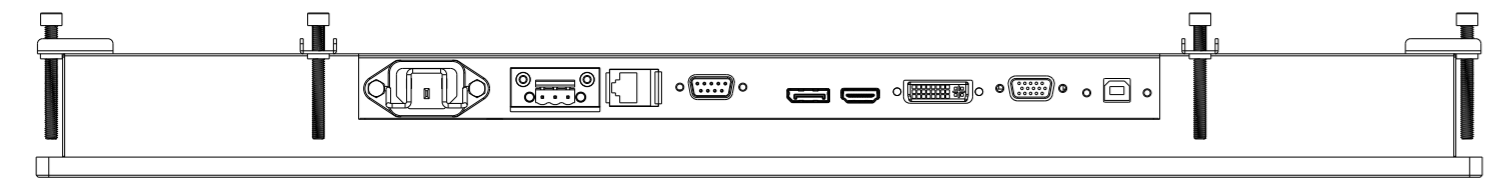
SIDE VIEW



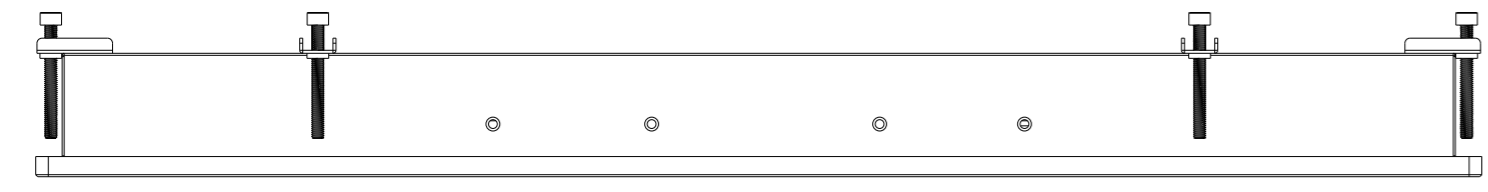
BACK VIEW



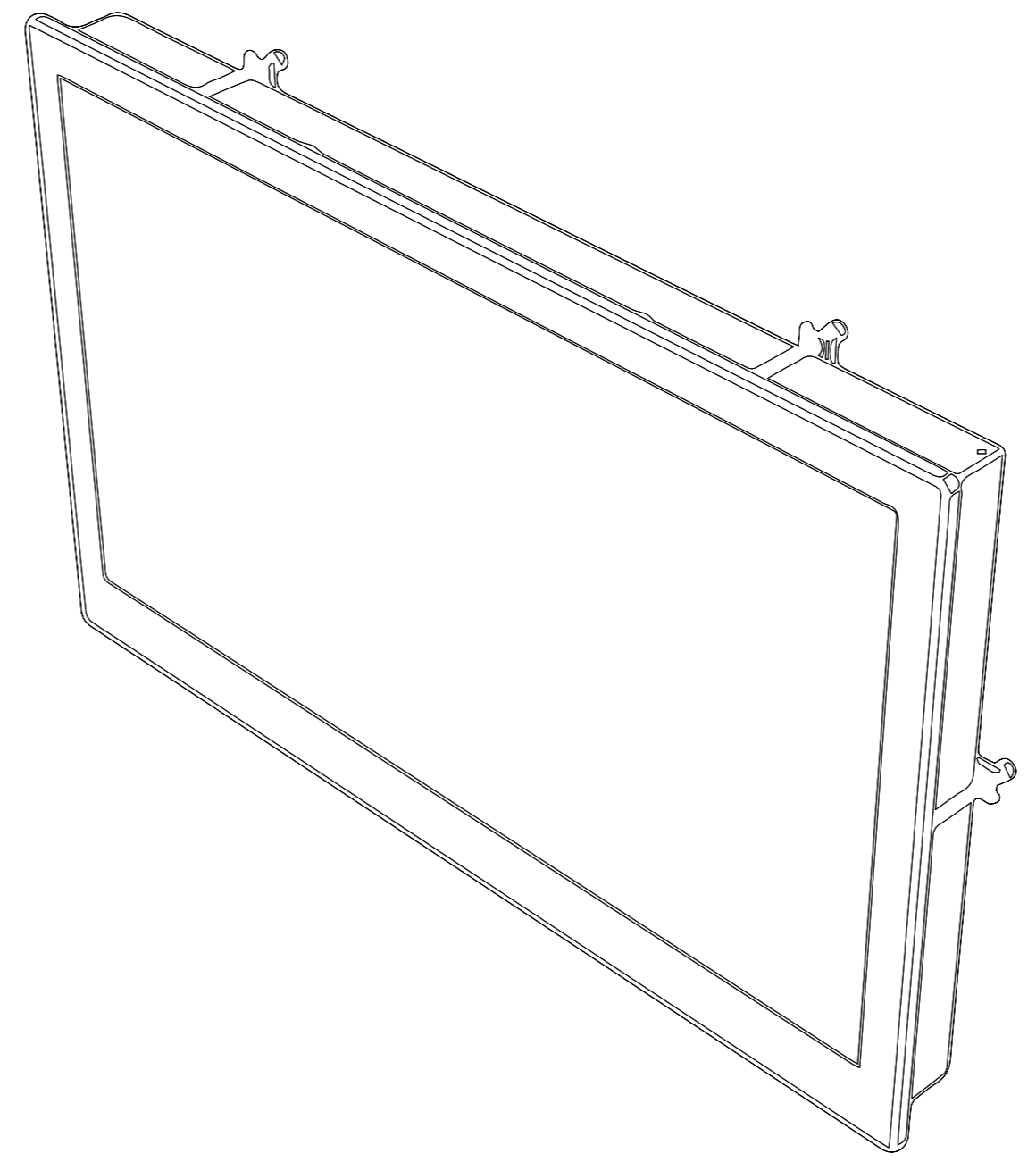
BOTTOM VIEW



TOP VIEW



DIMETRIC VIEW



Units: mm [inches]

SALES DRAWING ED 24T01 FHD-xxx-xx

Creation date / by:	/	Projection:		HATTELAND TECHNOLOGY an EMBRON Company	
Last rev. date / by:	/	Scale:	1:3	Approved by:	Revision:
Hatteland Technology AS Eikeskogvegen 52 N-5570 Akrdal			Tolerance: ISO 2768-mK	Drawing number: PM10002	