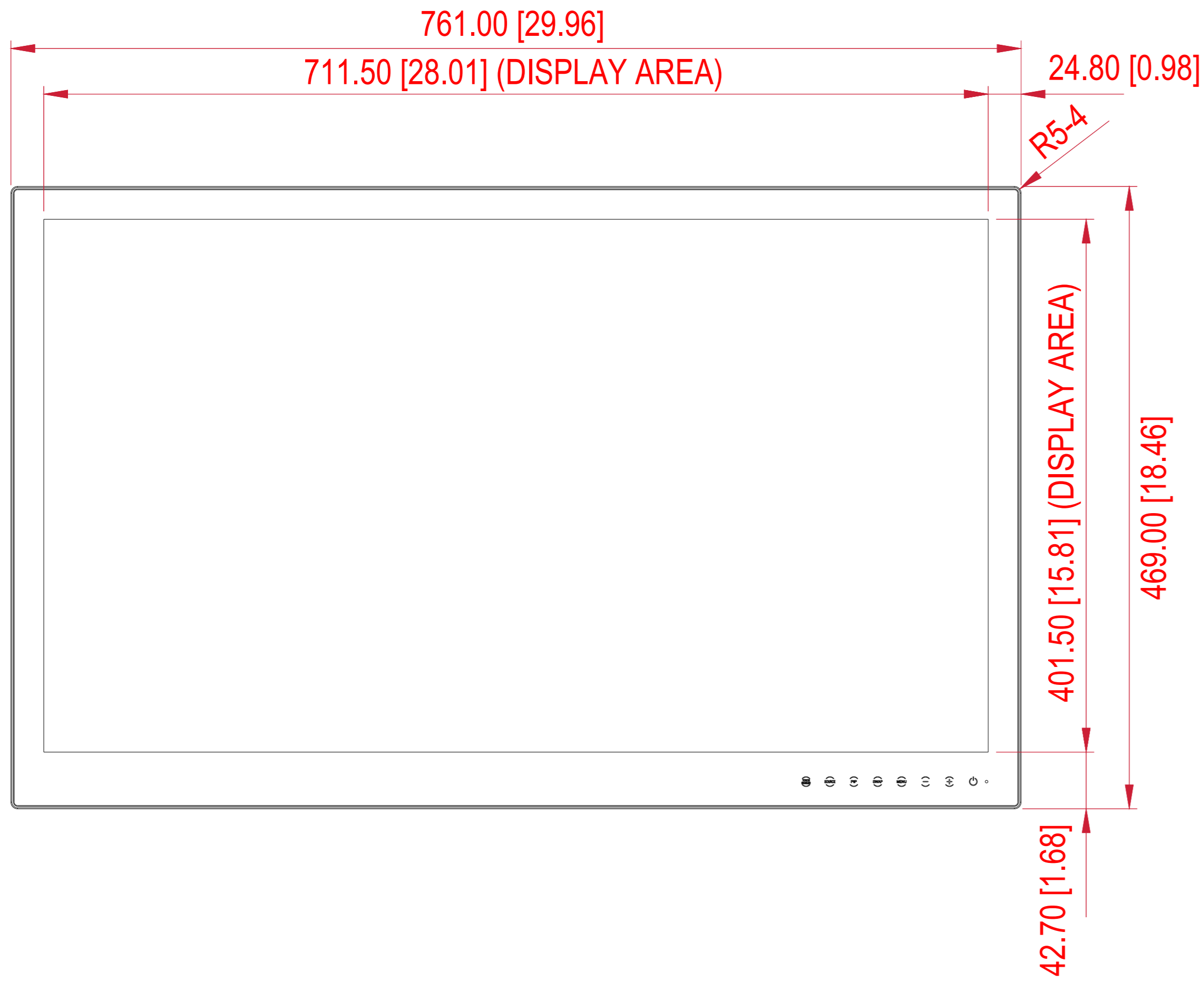
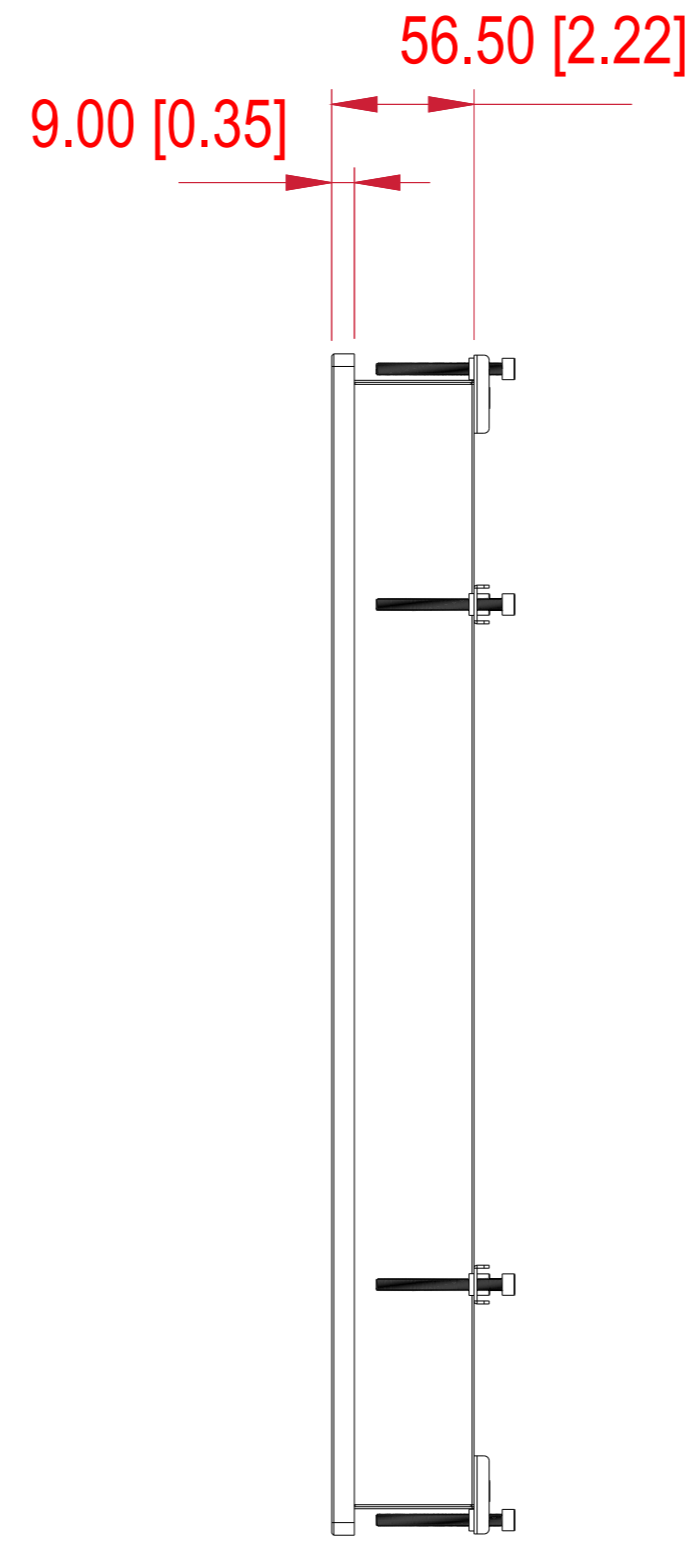


This document is the property of Hatteland Technology AS.  
 This document and any authorized reproduction thereof must not be used in  
 any way against the interest of Hatteland Technology AS.  
 Any authorized reproduction, in whole or in part, must include this legend.

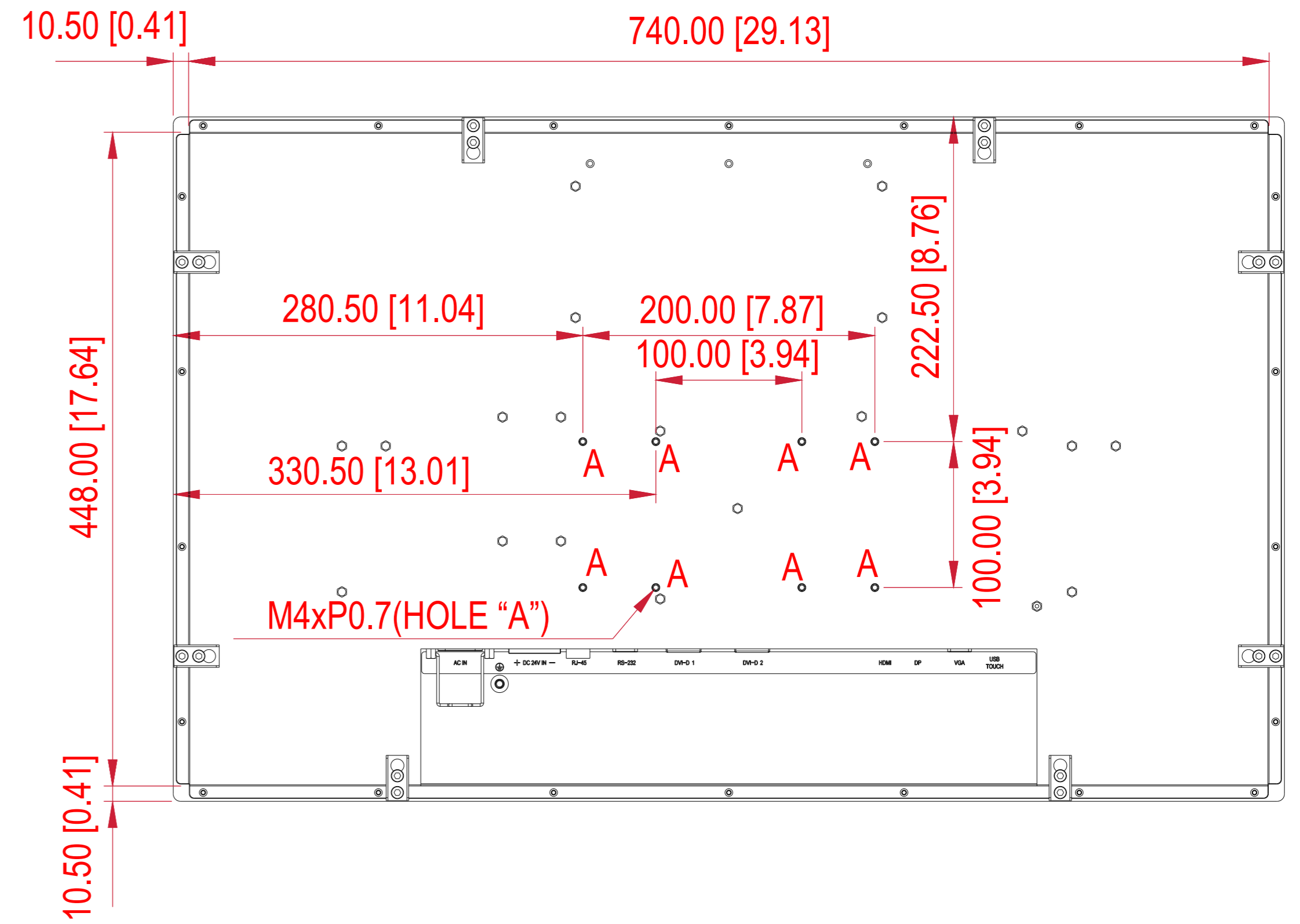
### FRONT VIEW



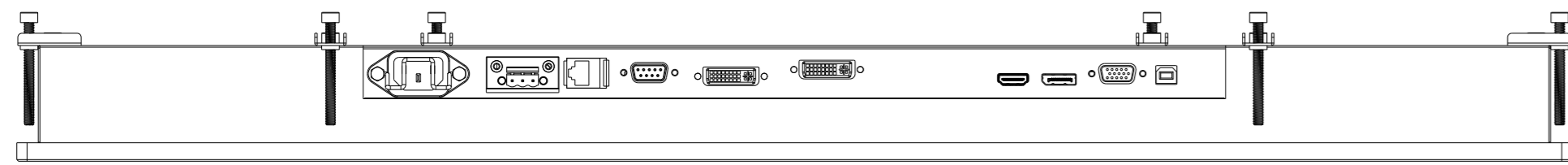
### SIDE VIEW



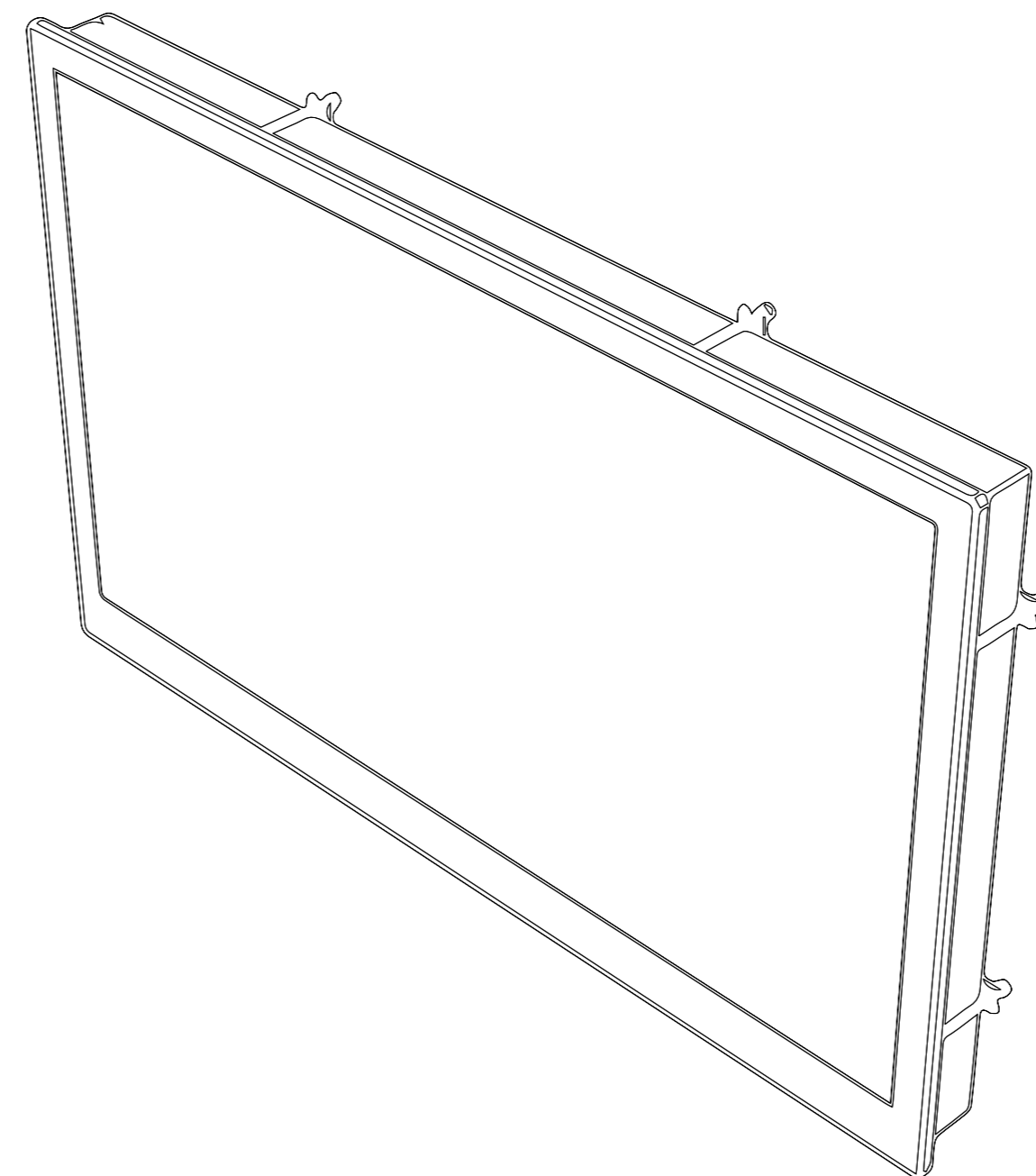
### BACK VIEW



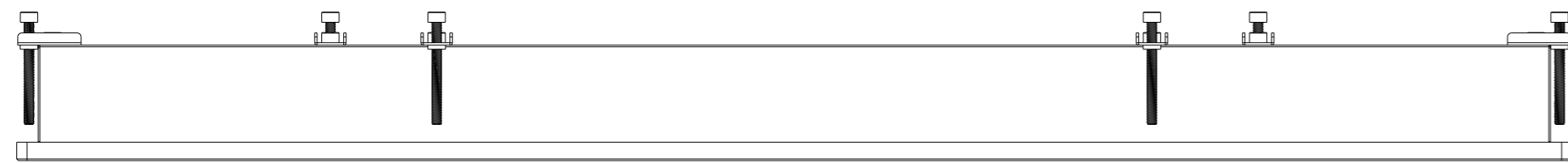
### BOTTOM VIEW



### DIMETRIC VIEW



### TOP VIEW



Units: mm [inches]

SALES DRAWING ED 32T01 UHD-xxx-xx

Creation date / by:	/	Projection:		<b>HATTELAND TECHNOLOGY</b> an EMBRON Company	
Last rev. date / by:	/	Scale:	1:3	Approved by:	Revision:
Hatteland Technology AS Eikeskogvegen 52 N-5570 Akrdal			Tolerance: ISO 2768-mK	Drawing number: <b>PM10004</b>	