

## F3XL FISHING APPLICATION



OFFSHORE

*“Squid detection is simply perfect, equally as good, if not better, than any other echo sounder. Also, the 3D vision and the hardness of the sea bottom are very good but needs some fine-tuning during the next call of Igueldo to Vigo, our home port.”*

– Miguel Pouseu, Captain, F/V Igueldo

**OUTFIT YOUR FLEET WITH WASSP F3XL NOW!**

To add WASSP F-Series technology to your fishing operations, contact your local dealer or email [sales@wassp.com](mailto:sales@wassp.com)



SEE IT ALL

### ALWAYS GOING BEYOND

WASSP is part of the ENL Group. With more than 74 years' experience, we're world leaders in marine sounder, radar and communications.

Based in the marine nation of New Zealand, which has one of the world's largest marine economic zones, ENL invests heavily in R&D to constantly push the boundaries. We develop software and hardware solutions for seabed surveying and mapping, defence, superyachts, commercial fishing and workboats.

Our passion and commitment to real innovation is what sets us apart. We consistently bring game-changing technology to market, with cost-effective products that are easy to operate to make your life at sea easier.



SEE IT ALL

#### UK OFFICE

6A, Kings Head Centre, 38 High St.  
Maldon, Essex, CM9 5PN, UK  
+44 1621 983 125

#### AUCKLAND HEAD OFFICE

46 Hillside Rd, Wairau Valley  
Auckland, New Zealand  
+64 9 373 5595

#### AUCKLAND SHOWROOM

23 Westhaven Drive  
Auckland, New Zealand  
+64 9 980 0291

#### NELSON OFFICE/SHOWROOM

78 Vickerman St, Port Nelson  
Nelson, New Zealand  
+64 3 548 4987

[SALES@WASSP.COM](mailto:SALES@WASSP.COM) | [WASSP.COM](http://WASSP.COM)



A FURUND COMPANY

# PLAN YOUR FISHING TO MAXIMISE YOUR QUOTA

The WASSP F3XL Multibeam Sounders are writing a new chapter in offshore commercial fishing. With WASSP's 120-degree swath, you'll find more fish in less time, over a much wider and deeper area than with conventional single beam systems.

Understanding the seafloor is critical to fishing in all depths of water. The good news is, with the WASSP F3XL you can map fish schools and plan your fishing to maximise your quota. With accurate water column and seabed information, you'll be better informed to make decisions that will maximise your catch, minimise your time at sea and give you the best return on investment. Plus, the wideband CHIRP technology gives you excellent separation of target species throughout the water column for more sustainable fishing. The WASSP F3XL is purpose-designed for:

**Offshore · Trawling · Purse seining · Pot fishing · Shellfish dredging · Longlining**

## SUCCESSFULLY EXPLORE NEW FISHING GROUNDS

Now you can confidently explore new fishing grounds much faster and with greater accuracy. This is especially useful if regulations around fishing grounds change or environmental factors such as weather patterns, storms or current flows affect your usual fishing grounds.

## WASSP IS SUPPORTED IN MORE THAN 30 COUNTRIES

Since the first installation in 2000, WASSP has seen incredible growth in all areas. WASSP is now distributed in more than 30 countries and has been embraced by the commercial fishing, recreational fishing, superyacht, hydrographic, professional workboat, navy and coastguard sectors.

## 10 GREAT BENEFITS OF A WASSP F-SERIES FISHING SYSTEM

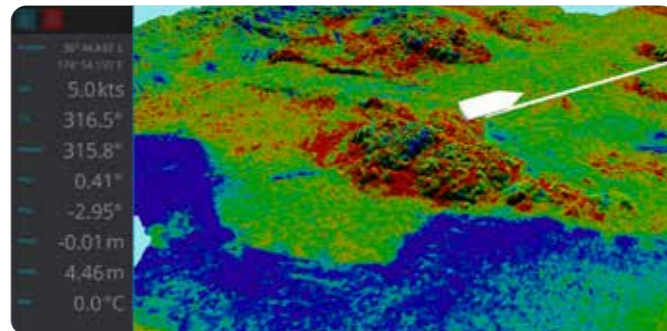
1. Map fish schools faster
2. Save fuel due to less time steaming
3. Successfully explore new fishing grounds
4. Break in new grounds faster and more accurately because you can see what's there
5. Target or avoid hidden underlying rock with bottom hardness information
6. See obstacles and haul in your gear before you foul up, avoiding costly damage
7. Target new grounds you previously thought unfishable
8. Target the school for best efficiency
9. Increase your catch-rate
10. Enjoy faster turnaround and less time spent at sea

## NEW EASY-TO-USE INTERFACE

The WASSP F-Series introduces a new simplified WASSP CDX for control, visualisation and data management, while still providing a comprehensive set of functions to meet your most challenging requirements.

### Integrates with leading software

WASSP systems have been designed to seamlessly integrate with leading software suites such as MaxSea TimeZero Pro and OLEX as well as hydrographic software suites like HYPACK, BeamworX, EIVA, Echoview and QINSy.



## ABOUT THE WASSP F3XL

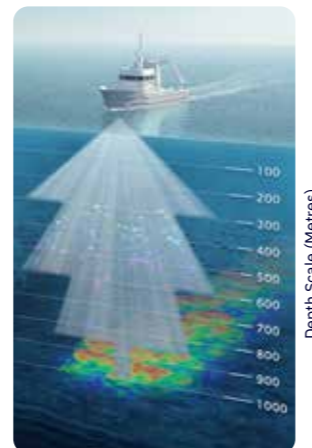


DRX-46

F3XL comes standard with our patent pending Interference Management Systems (IMS), including AKP. Plus, it interfaces with TIMEZERO Pro to help you make a strategic fishing plan by optimising all the fishing tools available to you.

## F3XL FEATURES AND BENEFITS

- Higher power DRX-46 processor with a low frequency transducer WMB-80, giving you a maximum depth of 1000m.
- The 80kHz transducer can operate as a sounder in depths of 1000m and provide mapping of the seafloor, with water column targets (fish) shown in 850m of water.
- Key Pulse, Advanced Key Pulse (AKP) and Interference Management System provides clean windows for transmission without interference.
- Ready for install on complex vessels with several other existing sounders and sonars.



F3XL Multibeam Depth Performance:  
Model: F3XL (80Khz)  
Max: 1000M  
Swath 30°: 850M  
Swath 60°: 600M

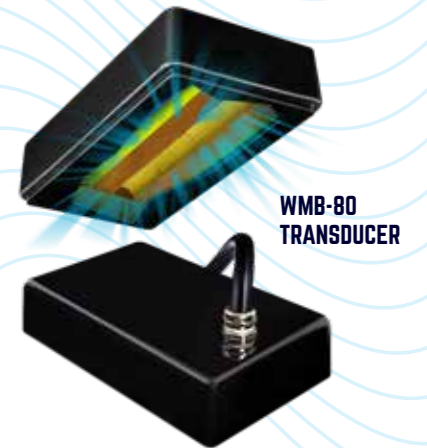
## HIGHLY SENSITIVE WASSP TRANSDUCERS

With the highly sensitive WASSP WMB-80 transducers, you get much more depth than similar powered traditional sounders. With processing from very low comparable transmission power WASSP transducers give you very good clarity in both deep and shallow water.

## WMB-80 TRANSDUCER

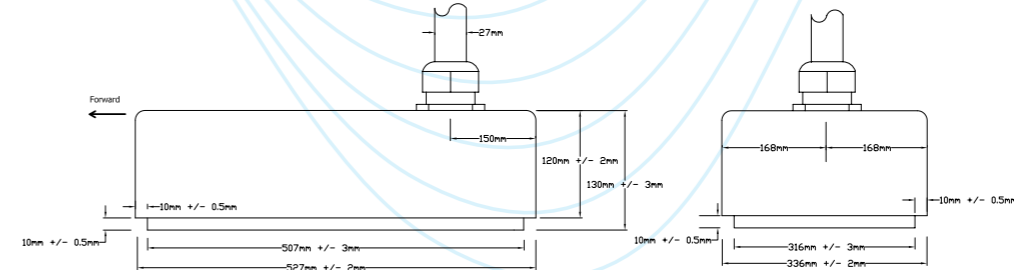
Like many commercial fishing transducers, the WMB-80 is designed to be mounted in a sea chest. This gives you the flexibility to have a custom-made sea chest for your specific vessel.

While all transducers need as much separation from other sounders as possible and clean waterflow across the surface, the F3X with AKP and IMS allows a well-placed WASSP transducer to operate in a sea chest with other transducers.

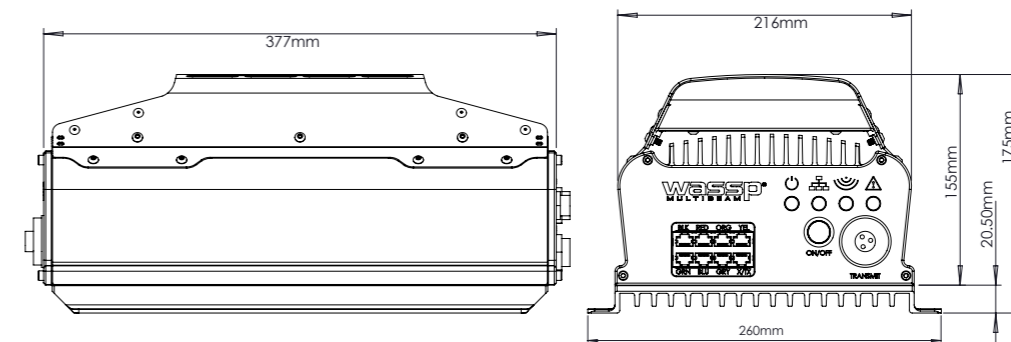


WMB-80 TRANSDUCER

## DIMENSIONS:



WMB-80 Dimensions



DRX-46 Dimensions

## FULL SPECIFICATIONS

	F3XL
Transceiver type	DRX-46
Current transducer support	WMB-80 / Mid-Frequency Wideband Transducer
Minimum depth/m	2m
Typical depth1/m (90° or 2:1)	600m
Max depth2/m (60° or 1:1)	850m
Sounder depth3/m (nadir)	1000m
Swath width /deg	120°
Signal type	FM/CW
Default frequency	80kHz
Centre frequency from	60-80kHz
Maximum CHIRP frequency range	+/-20kHz
Frequency from	90-190kHz
Range resolution (max)	2cm
Beam width port/starboard	4°
Beam width fore/aft	3.2°
Sounder beams	5
DC input	18-32V
Transducer cable length options	5m, 10m or 20m
Transducer IP66 connectors	Optional
Carbon fibre transducer and sensor mount pole	Optional
Wireless antenna kit	Optional
Operating power consumption (average)	70W
Data connection	GbE
Operating temperature	0° to 40°
Ingress/water impact	IP53 bulkhead-mounted
Environmental standards	IEC60945, MIL-STD-901
DRX mounted in Pelican case with IP66 connectors	Optional

Please see product manual for full technical specifications

PC	RECOMMENDED
OS	Windows 8.1,10
CPU	2Ghz, 4 Cores/4 Threads
Memory	8GB
Graphics	DirectX11
Screen resolution	FHD-1920 x 1080
HDD/SSD	2TB
Network	Ethernet-GbE, WiFi-802.11ac
Dual screen support	Yes
FEATURES	F3XL
<b>INCLUDED</b>	Bathy - 2D/3D Sonar Sounder - Quintbeam PPS Key pulse CDX or TZ interface Interference Management System and Advance Key Pulse
<b>LICENCED</b> (indicative list only)	CDX or TZ interface Olex interface GD-700 interface Backscatter Sidescan Water column targets RTK Tides Survey XYZ, GSF or Echopilot Data Export Wireless Licence